

# Video System Detail

Video Transmitter:

Frequency band:5645-5945 MHz

Channel customer:40CH

Current: 310mA@5V/25mw/350mA@5V/100mw

Camera:

SENSOR:PAL:720X540/NTSC:640X480 1/4"

Input format:NTSC/PAL

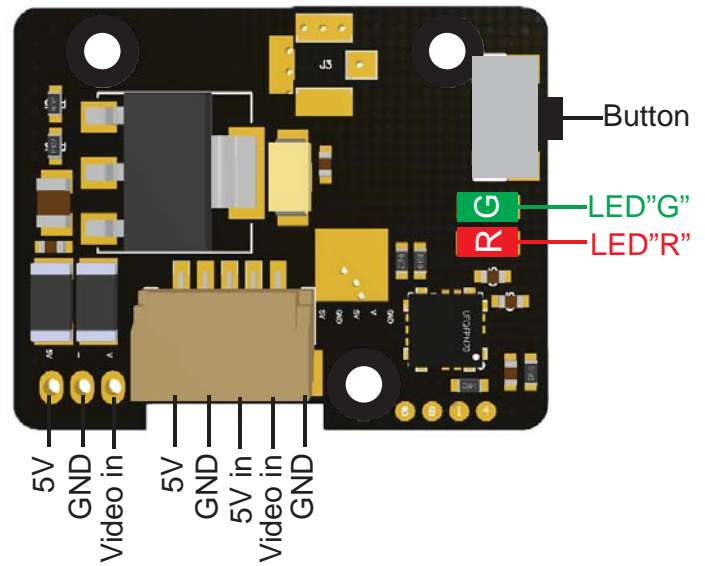
LENS ANGEL:H:120°/V:100°

Base -band interface:P1.27\*2

Power consumption:200~215MA@5V DCIN

Supply Voltage:2.9-5.5v

Operating Temperature:-10℃ ~+60℃



CH \ FR	CH1	CH2	CH3	CH4	CH5	CH6	CH7	CH8
A	5645	5665	5685	5705	5885	5905	5925	5945
B	5740	5760	5780	5800	5820	5840	5860	5880
C	5725	5745	5765	5785	5805	5825	5845	5865
D	5733	5752	5771	5790	5809	5828	5847	5866
E	5658	5695	5732	5769	5806	5843	5880	5917

## Instructions:

