

Video System Detail

Electrical Characteristics:

Frequency band:5362-5945 MHz

Channel customer:48

Modulation:FM

Channel SEL.:Touch Switch

Channel Indicate:CHI-CH8 Channel indication with 4 LEDS and A~B frequency group Indicate with 3LEDS

Transmit power:13 ±1dBm

Frequency control:PLL

All harmonic:Max-50dBm

Frequency Stability: ±100KHz(Typ.)

Frequency precision: ±200KHz(Typ.)

Channel Carrier error:1dB

Antenna Port:50Ω

Input format:NTSC/PAL

SENSOR:PAL:720X540/NTSC:640X480 1/4"

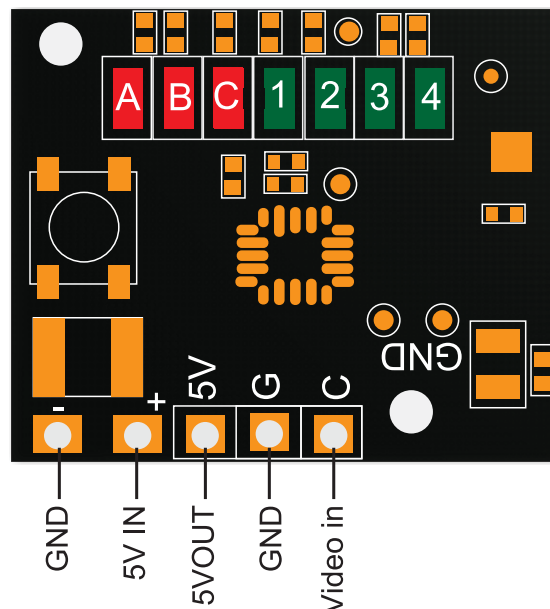
LENS ANGEL:H:120°/V:100°

Base -band interface:P1.27*2

Power consumption:200~215MA@5V DCIN

Supply Voltage:2.9-5.5v

Operating Temperature:-10 °C ~+60 °C



1234 \ ABC	1	2	3	4	5	6	7	8	
ABC	OXXX	XOXX	XXOX	XXXO	OOXX	XOOX	XXOO	O000	
FS/IRC	OXX	5740	5760	5780	5800	5820	5840	5860	5880
E	XOX	5705	5685	5665	5645	5885	5905	5925	5945
A	XXO	5865	5845	5825	5805	5785	5765	5745	5725
R1	OOX	5658	5695	5732	5769	5806	5843	5880	5917
R2	XOO	5362	5399	5436	5473	5510	5547	5584	5621
B	000	5733	5752	5771	5790	5809	5828	5847	5866

Notes:

1. ABC red color stand for frequency group. 1234 green color stand for frequency points.
2. O stand for turn on light, X stand for turn off light. Switch frequency points according to different O or X.

Operation Instructions:

- 1.LED ABC red color frequency group, LED 1234 green color frequency points;
2. O stand for turn on light, X stand for turn off light. Switch frequency points according to different O or X
- 3.Short press on button, switch channel from 1 to 8;
4. Long press for 2s to enter or quit the setting, enter frequency group setting press button to switch frequency group from A to F. press the button for 2s to quit setting.